

Datasheet

ADL24LIFE-28AH-H

Type: Battery Pack

Item No.: ADL24LIFE-28AH-H

Revision: v. 4.1 - September 2017

Description

This battery pack was created to solve the general problem of operating batteries in sub-zero conditions.

It incorporates an automatic internal heating system, where insulation, heating and lithium-ion battery technology all work together, to create a battery pack that work unaffected by temperatures as low as, -30°C. (-22°F)

Highlights

- 24V Battery Pack
- Capacity of 28,8Ah
- Sub-Zero capabilities
- Easy and Safe Installation
- Rugged Stainless Steel Casing
- Low Self-discharge (< 5% / month)
- Long Service Life (+1200 cycles)

PACK SPECIFICATIONS

Voltage	24V (nominal)
Capacity	28,8 Ah
Cell Configuration	9P8S
Cell Type	26650 / 3200 mAh
BMS	Integrated
Chemistry	Lithium-Iron-Phosphate (LiFePO4)
Cycle Life	>1200 cycles (@80% DOD)
Self-Discharge	<5% / month
Dimensions	300 x 121 x 163 mm
Weight	9,2 Kg
Casing	Stainless steel
Connector	N/A (crimped female spade connectors)
Approvals/Certifications	UN38.3 / CE / RoHS

Heating

Heating controller	Integrated
Heating pads	2 x120W
Engage heater	0-5°C
Disengage heater after	5 minutes
High temperature protection	60°C
Disengage heater at	20°C

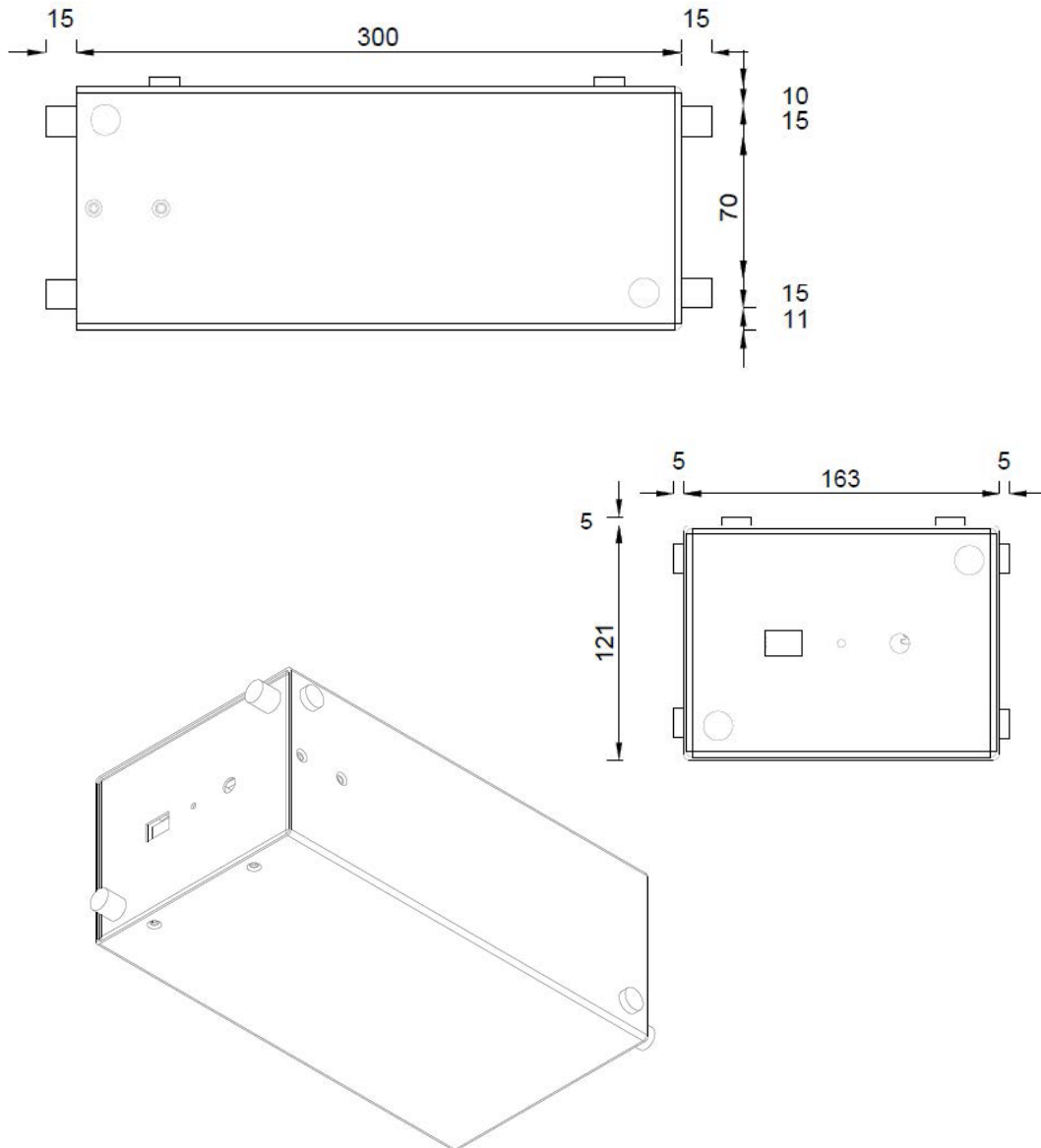
BMS SPECIFICATIONS

Charge ending voltage	29.2±0.1 V
Discharge ending voltage	20±0.1 V
Standard cont. charging current	10A
Max. cont. charging current	20A (Recommended current = 15A)
Standard cont. discharge current	10A
Max. cont. discharge current	20A
Peak current	30A (<1S)
Current consumption	<2 (mA)



DIMENSIONS

All units shown in mm, and are approximate



WE MAKE INDUSTRIAL GRADE BATTERIES

