

DATASHEET

ADL24LINMC-39AH-50A-CB

24V - 39Ah Battery Pack

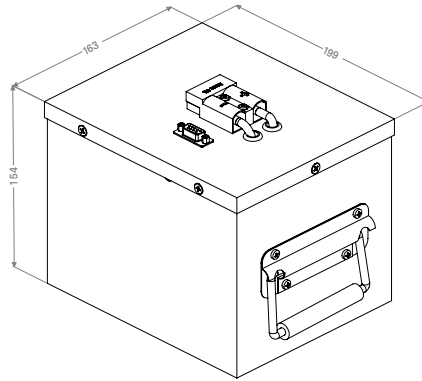
Type: Battery Pack
 Item No.: ADL24LINMC-39AH-50A-CB
 Revision: 2 - January 2020

HIGHLIGHTS

- High Discharge Current
- Rugged Stainless Steel Casing
- CANBus Communication

DIMENSIONS

All units are in mm (±0.5mm)



UN 38.3
 PASSED

PACK SPECIFICATIONS

Voltage	24V (nominal)
Capacity	39.6 Ah
Cell Configuration	7S18P
Cell Type	18650 / 2200 mAh
BMS	Integrated
Chemistry	NMC
Cycle Life	>1500 cycles 80% DoD Using the recommended charging current.
Self-Discharge	<5% / month
Dimensions	199 x 163 x 154 mm
Weight	8.2 Kg
Casing	Stainless steel
Enclosure	Splash proof (IP54)
Connector	Anderson type(50A)
Discharge/Charge temperature range	-10°C - +60°C / 0°C - +55°C
Approvals/Certifications	UN38.3 / CE / RoHS IEC 62133-2:2017 / IEC 62619:2017

BMS SPECIFICATIONS

Charge ending voltage	29.2±0.1 V Recommended Vcharge-cut-off = 28.8V
Discharge ending voltage	19.6±0.1 V Recommended Vdischarge-cut-off = 21V
Max. cont. charging current	50A Recommended I _{max} = 25A
Max. cont. discharge current	50A
Peak current	120A (≤1s)
Short Circuit Protection	283A (max 200µs)
Current consumption	Operational: <15mA Sleep mode: <200µA
Temperature Sensors	1

CANBUS & UART SPECIFICATIONS

Bitrate	CANBus: 250 Kbit/s
Data	Both Real-time and Event Log can be retrieved
Reflashable Firmware	Yes
Multiple Batteries on the same bus	Yes