

DATASHEET

ADL24LINMC-39AH-50A-CB

24V - 39Ah Battery Pack

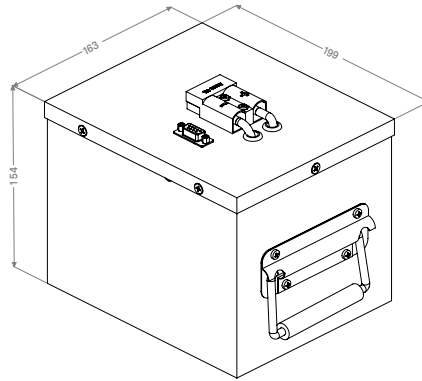
Type: Battery Pack
 Item No.: ADL24LINMC-39AH-50A-CB
 Revision: 2.3 - December 2020

HIGHLIGHTS

- High Discharge Current
- Rugged Stainless Steel Casing
- CANBus Communication

DIMENSIONS

All units are in mm (±0.5mm)



UN 38.3
PASSED

RECOGNIZED COMPONENT



Intertek
 5018034

CONFORMS TO UL STD. 62133-2
 CERTIFIED TO CSA STD. C22.2 NO.62133-2

PACK SPECIFICATIONS

Voltage	24V (nominal)
Capacity	39.6 Ah
Cell configuration	7S18P
Cell type	18650 / 2200 mAh
BMS	Integrated
Chemistry	NMC
Cycle life	>1500 cycles 80% DoD Using the recommended charging current.
Self-discharge	<5% / month
Dimensions	199 x 163 x 154 mm
Weight	8.2 Kg
Casing	Stainless steel
Enclosure	Splash proof (IP54)
DC connector DE-9 connector	UCHEN SC50 (Blue) P2: CAN-L P7: CAN-H
Discharge/charge temperature range	-10°C - +60°C / 0°C - +55°C
Approvals/certifications	UN38.3 / CE / RoHS IEC 62133-2:2017 / IEC 62619:2017 / CONFORMS TO UL STD. 62133-2 / CERTIFIED TO CSA STD. C22.2 NO.62133-2

Operational humidity / altitude
 RH 10% <H<90% (non condensing)
 2000 m

BMS SPECIFICATIONS

Upper voltage limit MUST NOT BE EXCEEDED	29.2±0.1V Recommended upper limit = 28.8V
Lower voltage limit MUST NOT BE EXCEEDED	21±0.1V Recommended lower limit = 22V
Max. cont. charging current	38A @ >15°C For every degree below 15°C, the current must be decreased by 2A.
Max. cont. discharge current	39A
Peak current	120A (≤1s)
Short circuit protection	283A (max 200µs)
Current consumption	Operational: <15mA Sleep mode: <300µA
Temperature sensors	1

CANBUS

Bitrate	CANBus: 250 Kbit/s
Data	Both Real-time and Event Log can be retrieved
Reflashable firmware	Yes
Multiple batteries on the same bus	Yes