

DATASHEET

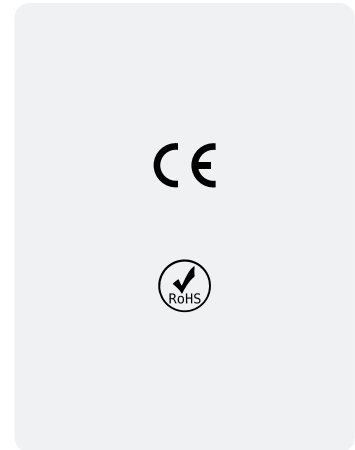
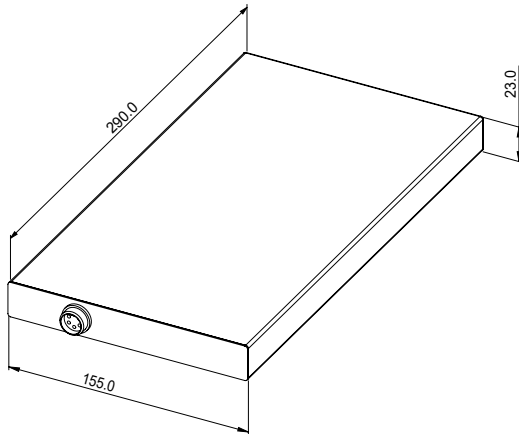
B036N005U001

36V - 5.2Ah Battery Pack

Type: Battery Pack
 Item No.: B036N005U001
 Revision: 0 - October 2020

DIMENSIONS

All units are in mm (±1.0mm)



PACK SPECIFICATIONS

Voltage	36V (nominal)
Capacity	5.2 Ah
Cell Configuration	10s2p
Cell Type	18650 / 2600 mAh
BMS	Integrated
Chemistry	NMC
Cycle Life	>1500 cycles
Self-Discharge	<5% / month
Dimensions	290 x 155 x 23 mm
Weight	2.0kg
Casing	Stainless Steel
Enclosure	Water proof (IP68)
Power Connector	P1312/S4 P1: P+ P2: P- P3: CAN H P4: CAN L
Discharge/Charge temperature range	-10°C - +60°C / 0°C - +55°C
Approvals/Certifications	CE, RoHS

BMS SPECIFICATIONS

Upper Voltage Limit MUST NOT BE EXCEEDED	42.0±0.1V Recommended upper limit = 41.0V
Lower Voltage Limit MUST NOT BE EXCEEDED	32±0.1V Recommended lower limit = 33.3V
Max. cont. charging current	3A Recommended charge current: 2A
Max. cont. discharge current	3A Recommended discharge current: 2A
Peak discharge current	5A (≤3s)
Current consumption	Operational: <17mA Sleep mode: <300µA
Temperature Sensors	#1: Cells #2: Cells 2 #3: Ambient (inside casing) #4: MOSFETs

CANBUS SPECIFICATIONS

Bitrate	CANBus: 250 Kbit/s
Data	Both Real-time and Event Log can be retrieved
Reflashable Firmware	Yes
Multiple Batteries on the same bus	Yes