

DATASHEET

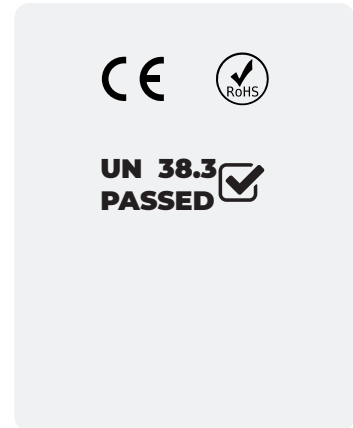
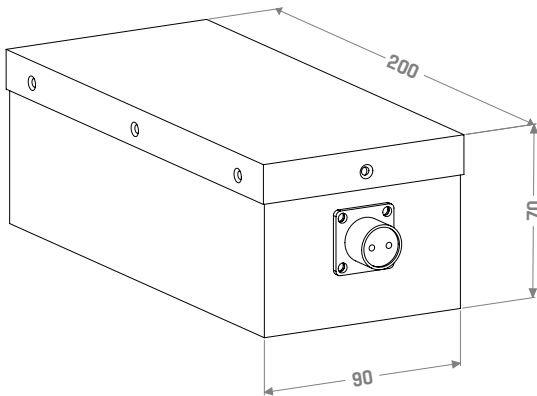
# B048F001MH01

## 48V - 1100mAh Battery Pack

Type: Battery Pack  
 Item No.: B048F001MH01  
 Revision: v. 1.00 - November 2019

### DIMENSIONS

All units are in mm (±0.5mm)



### PACK SPECIFICATIONS

Voltage	48V (nominal)
Capacity	1100 mAh
Cell Configuration	1P16S
Cell Type	18650 / 1100 mAh
BMS	Integrated
Chemistry	LiFePO <sub>4</sub>
Cycle Life	>1000 cycles
Self-Discharge	<5% / month
Dimensions	200 x 90 x 70 mm
Weight	1.64Kg
Casing	Steel Casing
Enclosure	Splash proof (IP54)
Connector	WY-16-K-2-Z-Z-2 Pin 1: Battery Positive (+) Pin 2: Battery Negative (-)
Discharge/Charge temperature range	-10°C - +60°C / 0°C - +55°C
Approvals/Certifications	CE, RoHS, UN38.3

### BMS SPECIFICATIONS

Charge ending voltage	58.4±0.1V Recommended Vcharge = 57.6V
Discharge ending voltage	20±0.1V
Max. cont. charging current	1A
Max. cont. discharge current	10A
Peak current	30A (≤1s)
Current consumption	<2 (mA)