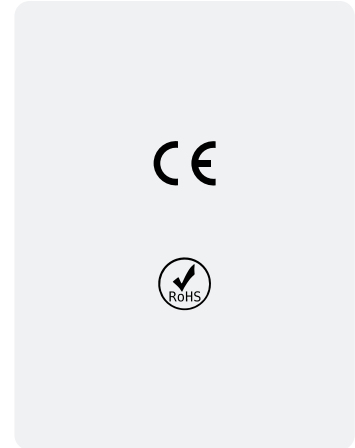
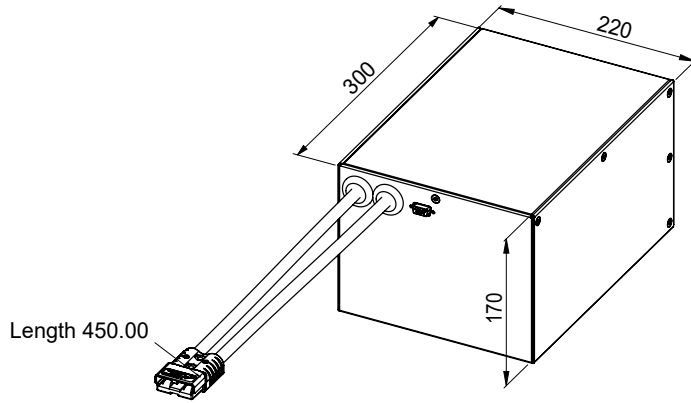


DATASHEET

# B060N054RC01

60V - 54.6h Battery Pack

Type: Battery Pack  
 Item No.: B060N054RC01  
 Revision: 0 - January 2021



## PACK SPECIFICATIONS

Voltage	60V (nominal)
Capacity	54.6h
Cell Configuration	16s21p
Cell Type	18650 / 2600 mAh
BMS	Integrated
Chemistry	NMC
Cycle Life	>1500 cycles
Self-Discharge	<5% / month
Dimensions	300 x 220 x 170 mm
Weight	20.8 kg
Casing	Stainless steel
Enclosure	Splash proof (IP54)
Power Connector	SB120 Grey
Other Connectors	DB9 p2: CAN-L p4: GND-shared p7: CAN-H p8: UART-3.3V p9: UART-TX
Discharge/Charge temperature range	-10°C - +60°C / 0°C - +55°C
Approvals/Certifications	CE, RoHS

## BMS SPECIFICATIONS

Upper Voltage Limit <b>MUST NOT BE EXCEEDED</b>	67.2±0.1 V Recommended upper limit = 65.6V
Lower Voltage Limit <b>MUST NOT BE EXCEEDED</b>	51.2±0.1 V Recommended lower limit = 52.8V
Max. cont. charging current	25A Recommended charge current: 12A
Max. cont. discharge current	100A Recommended discharge current: 25A
Peak current	200A (<2sec)
Current consumption	Operational: <17mA Sleep mode: <300µA
Temperature Sensors	#1: Cells #2: Cells 2 #3: Ambient(inside casing) #4: MOSFETs

## CANBUS SPECIFICATIONS

Bitrate	CANBus: 125 Kbit/s
Data	Both Real-time and Event Log can be retrieved
Reflashable Firmware	Yes
Multiple Batteries on the same bus	Yes (Only with CANBus)